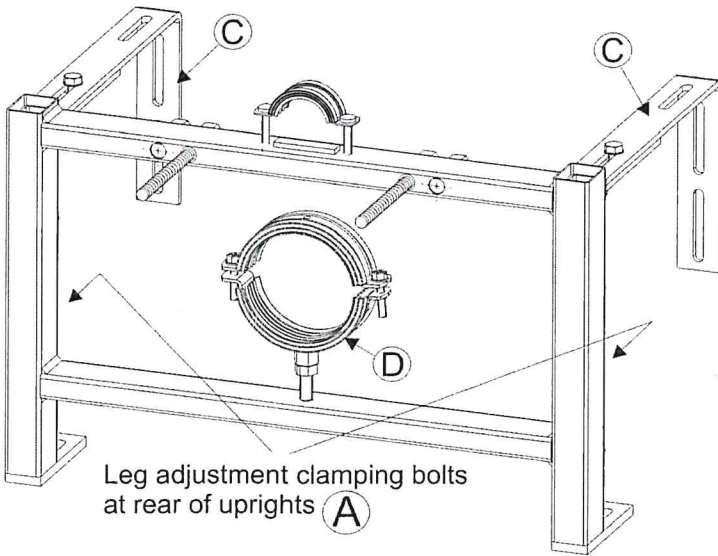


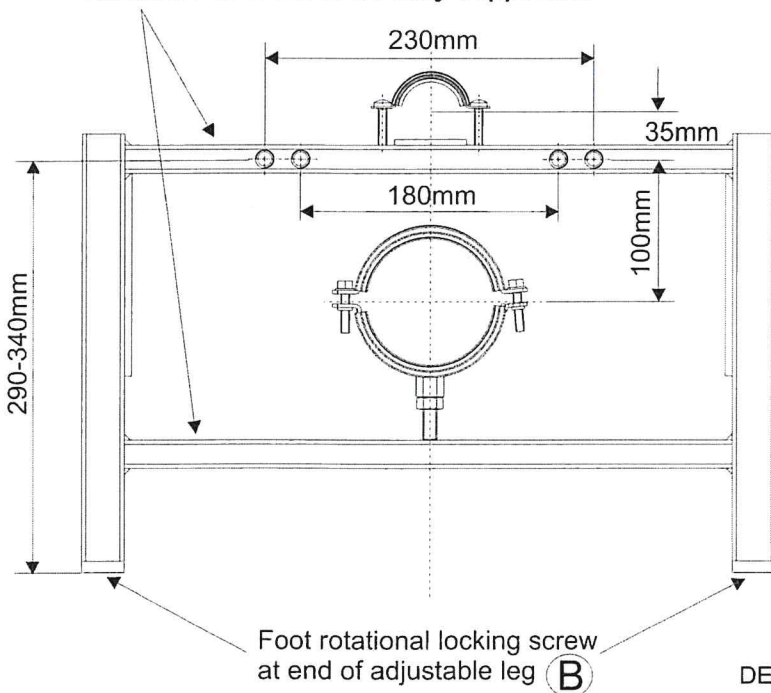
Specifically designed for wall hung pans, and can be sited on a flat wall, in a corner or used within suitable furniture.

INSTALLATION INSTRUCTIONS



Leg adjustment clamping bolts at rear of uprights (A)

NOTE - Pan must be deep enough to span both cross members in order to be fully supported.



Foot rotational locking screw at end of adjustable leg (B)

Note.
Pan outlet connector and soil pipe seal to be purchased separately.
Required diameter 90mm

1. Set frame height .

To adjust height of frame slacken off bolts holding adjustable legs in frame (A). Adjust the position of the legs so that the WC pan rim is 400mm above the floor level. Re-tighten the bolts clamping the legs into position. The feet can be rotated, into any position to suit installation, by using the screw at the foot of the leg. (B)

2. Fit wall straps.

The wall straps (C) can be used in any orientation dependant on the depth of installation required. Minimum depth is 200mm, maximum depth is 390mm in an Illusion Universal and 440mm in an Illusion Compact Universal. Attach firmly to frame using the M8 bolts, nuts and washers provided.

3. Fixing to wall and floor.

Attach frame securely to wall and floor using the plugs, washers and hex head screws provided. It is recommended that fixings are as close as possible to the horizontal part of the brackets. See diagrams overleaf for corner fitting. It is the responsibility of the installer to ensure that these fixings in the wall and floor are strong enough to adequately support the load which will be applied to the pan in use.

4. Fitting pan connector.

Fit a pan connector to clamp (D) and position to suit the pan being fitted. When in the correct position, complete plumbing to the soil piping.

5. Fitting pan.

Ensure M12 allthread protrudes sufficiently for correct and secure installation of the pan. See fig. 1 for installation detail.

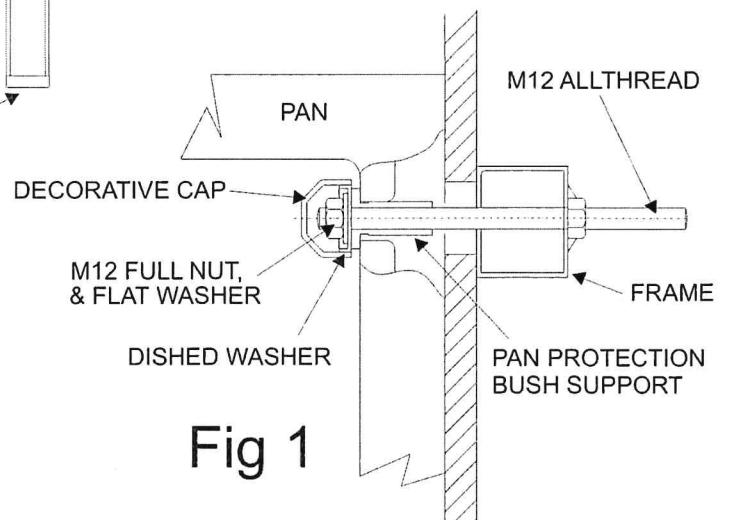
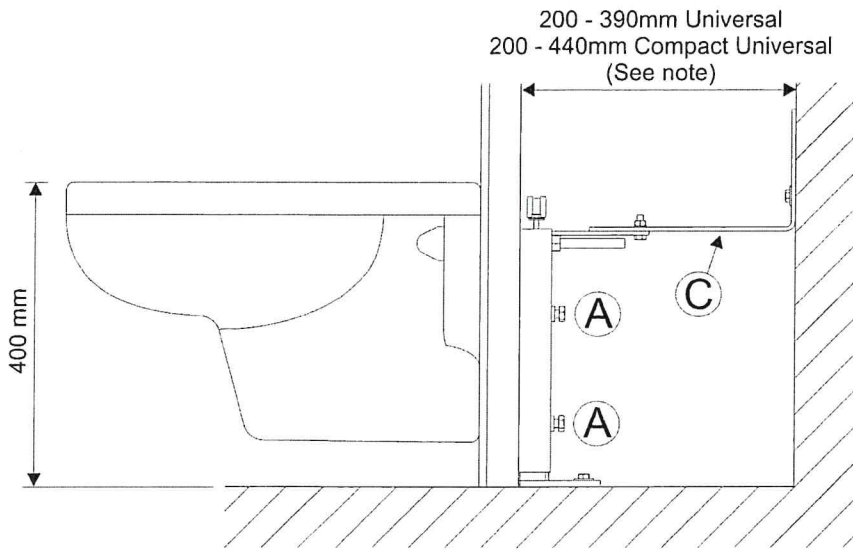


Fig 1

Built-in system with dry wall



Built-in system in Furniture

Note.
For distances between 160 - 200mm the brackets © will need to be reduced in length by cutting.

